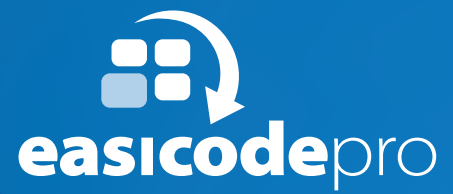


4400 ECP SERIES



BL4401 ECP (EASICODE PRO)

FEATURES

- On door code change
- Optional holdback
- 1000 hours salt spray tested
- Over 4000+ combinations
- Reversible on site
- Optional code change disabling plug



SPECIFICATION

Construction: Cast housing & handle with s/steel buttons

Buttons: 14 buttons; 12 coded, 1 clear, 1 code change

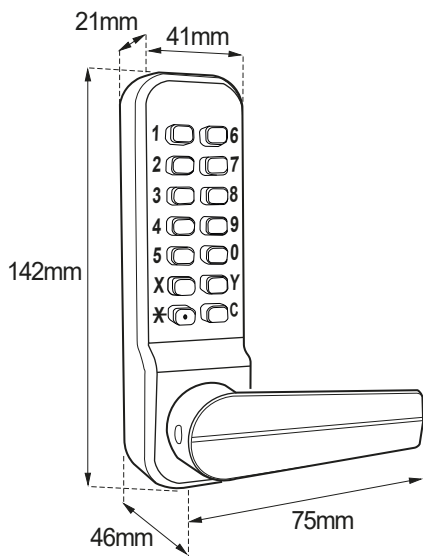
Finishes: Black Marine Grade Pro (MG Pro 2) external coating

Fixings: Flat bladed sprung spindle and M4 s/steel fixings to suit gates up to 85mm

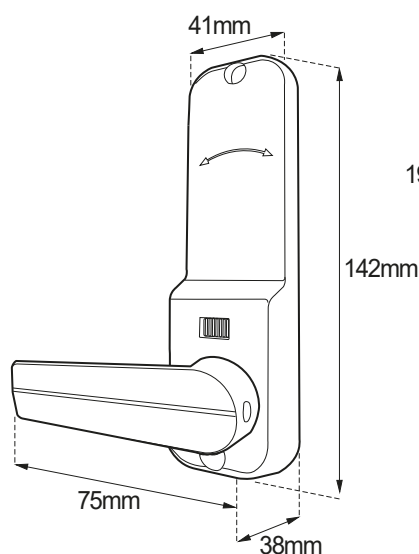
Door type: Designed to be fitted on internal or external wooden and timber gate/doors

Deadlatch: Anti-thrust pin ensures automatic locking when the door is closed

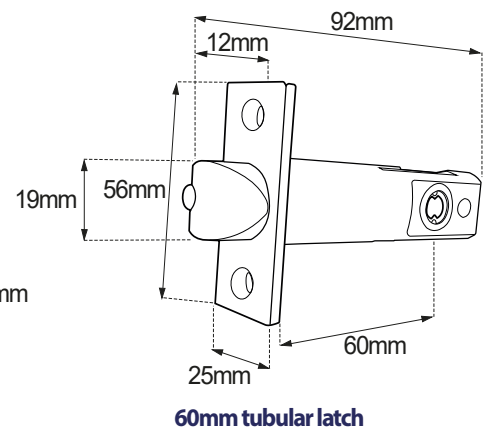
PRODUCT DIMENSIONS



BL4400 ECP - Keypad



BL4400 ECP - Inside handle



60mm tubular latch