

1000 ECP  
SERIES

easicodepro

## BL1506 ECP MG Pro (EASICODE PRO)

### FEATURES

-  On the door code change
-  Over 500 code combinations
-  Cycle tested 50k+
-  1000 hours salt spray tested
-  Cam provided for cabinet setups
-  Non-handed
-  Preview pane on inside cam



### SPECIFICATION

**Construction:** Cast housing & knob with s/steel buttons

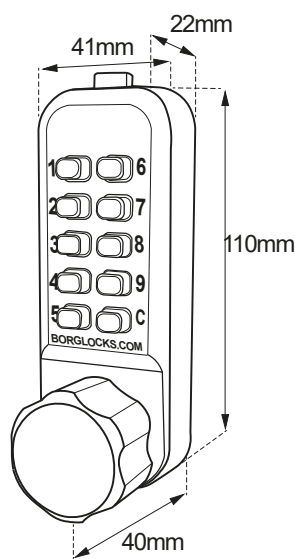
**Buttons:** 10 buttons; 10 s/steel 6 x 8mm

**Finishes:** Black external grade (MG Pro 2)

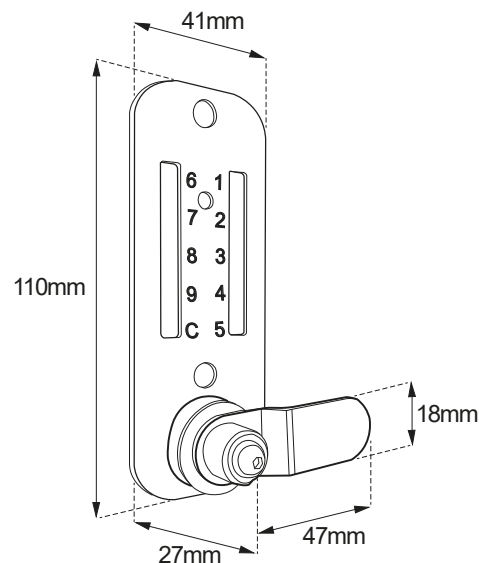
**Fixings:** 60mm flat bladed spindle & 10-30mm screws

**Door type:** Suit internal lockers & cabinets, 2 - 45mm thick

### PRODUCT DIMENSIONS



BL1506 ECP - External Keypad



BL1506 ECP - Internal cam

WWW.BORGLOCKS.COM

TEL: 01708 225700

Borg Locks (UK) Ltd Unit 9 Upminster Trading Park, Warley Street, Upminster, Essex RM14 3PJ UK

  
**Borglocks**<sup>TM</sup>  
CONTROLLING ACCESS