








BL1706 ECP (EASICODE PRO)

FEATURES

-  On the door code change
-  Key Override
-  Over 500 code combinations
-  Cycle tested 50k+
-  Cam provided for cabinet setups
-  Non-handed
-  Preview pane on inside cam



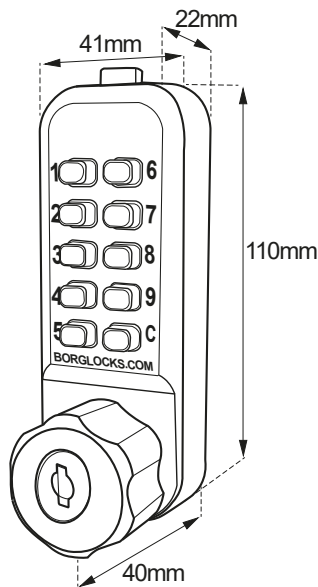
SPECIFICATION

- Construction:** Cast housing & knob with s/steel buttons
- Buttons:** 10 buttons; 10 s/steel 6 x 8mm
- Finishes:** Black external grade (MG Pro 2)
- Fixings:** 60mm flat bladed spindle & 10-30mm screws
- Door type:** Suit internal lockers & cabinets, 2 - 45mm thick

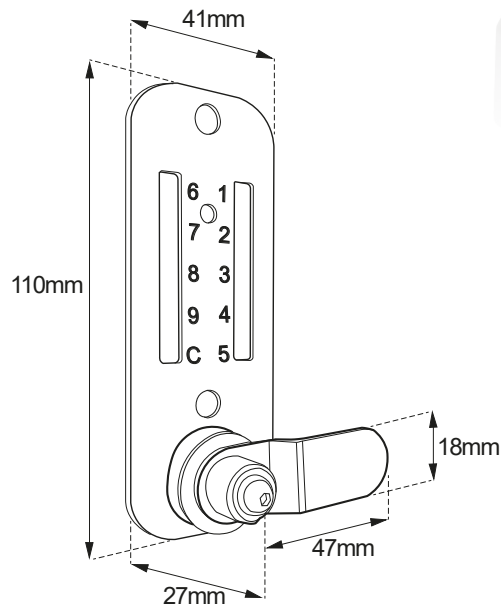
Code change button



PRODUCT DIMENSIONS



BL1700 ECP - External Keypad



BL1700 ECP - Internal cam