







2500ECP  
SERIES

  
easicodepro

## BL2501 ECP FT (EASICODE PRO)

### FEATURES

-  On door code change
-  Optional holdback
-  Cycle tested 100k+
-  Optional code change disabling plug
-  FD30/ FD60 Fire tested
-  Over 4000+ combinations
-  Reversible on site



### SPECIFICATION

**Construction:** Cast housing & knob with s/steel buttons

**Buttons:** 14 buttons; 12 coded, 1 clear & 1 code change

**Finish:** Satin Stainless

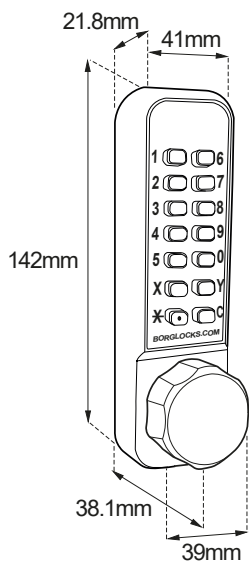
**Fixings:** 2 flat bladed spindles (80 & 100mm) and fixings to suit door thickness up to 54mm

**Door type:** Suitable for all internal light duty doors

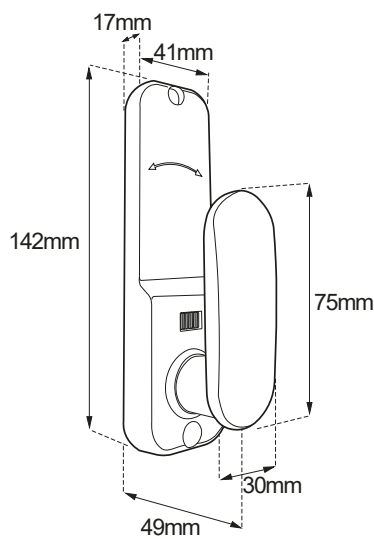
**Deadlatch:** Anti-thrust pin ensures automatic locking when the door is closed



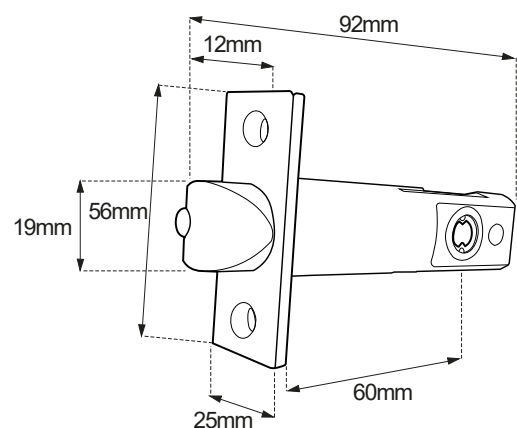
### PRODUCT DIMENSIONS



BL2500 ECP - Keypad



BL2500 ECP - Inside handle



60mm tubular latch - 2000 Series

WWW.BORGLOCKS.COM

1708 225700  
TEL: 01708 225700

Borg Locks (UK) Ltd Unit 9 Upminster Trading Park, Warley Street, Upminster, Essex RM14 3PJ UK

  
Borglocks™  
CONTROLLING ACCESS