








# 2600 ECP SERIES



## BL2602 MG Pro ECP (EASICODE PRO)

### FEATURES

-  On door code change
-  Reversible
-  1000 hours salt spray tested
-  Cycle tested 100k+
-  Optional holdback
-  Optional code change disabling plug
-  Over 4000+ combinations



### SPECIFICATION

**Construction:** Cast housing & knob with s/steel buttons

**Buttons:** 14 buttons; 12 coded, 1 clear & 1 code change

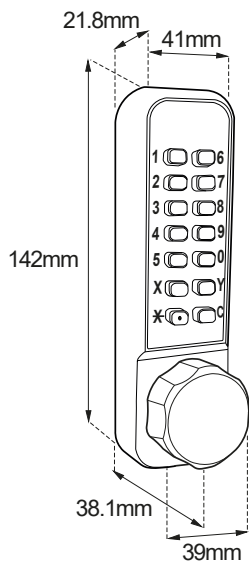
**Finish:** Black Marine Grade Pro (MG Pro 2) external coating

**Fixings:** 1 flat bladed sprung spindle (120mm) and fixings to suit door thickness up to 85mm

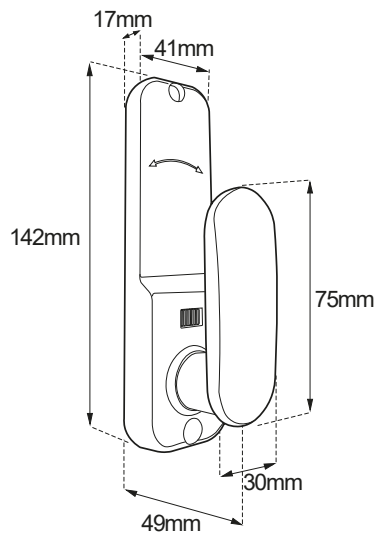
**Door type:** Suitable for external medium duty doors and gates

**Deadlatch:** Anti-thrust pin ensures automatic locking when the door is closed

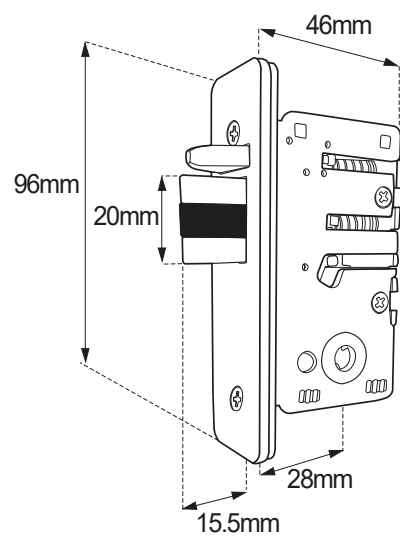
### PRODUCT DIMENSIONS



BL2600 ECP - Keypad



BL2600 ECP - Inside handle



28mm ali latch - 2000 Series

WWW.BORGLOCKS.COM

TEL: 01708 225700

Borg Locks (UK) Ltd Unit 9 Upminster Trading Park, Warley Street, Upminster, Essex RM14 3PJ UK

