








2700 ECP SERIES



BL2702 ECP MG Pro (EASICODE PRO)

FEATURES

-  On door code change
-  1000 hours salt spray tested
-  Key by-pass
-  Reversible on site
-  Optional holdback
-  Cycle tested 50k+
-  Over 4000+ combinations



SPECIFICATION

Construction: Cast housing & knob with s/steel buttons

Buttons: 14 buttons; 12 coded, 1 clear & 1 code change

Finishes: Black marine grade (MG Pro 2) external finish

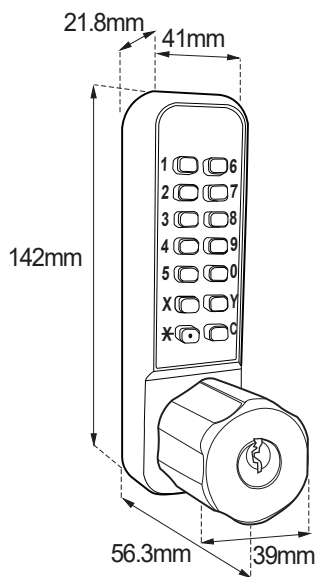
Fixings: 2 flat bladed spindles (80 & 100mm) and fixings to suit doors between 30mm and 60mm thick

Door type: Suitable for all light to medium duty doors

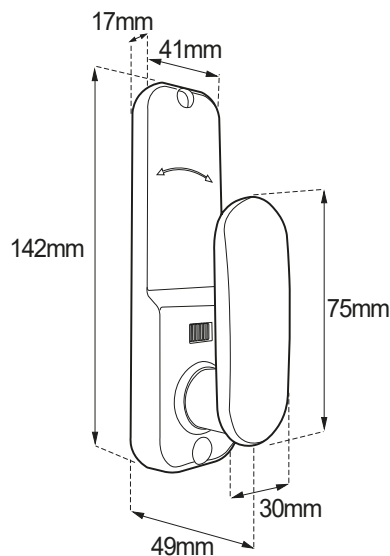
Deadlatch: Anti-thrust pin ensures automatic locking when the door is closed

Cylinder: Yale 6 pin removable cylinder x 3 keys

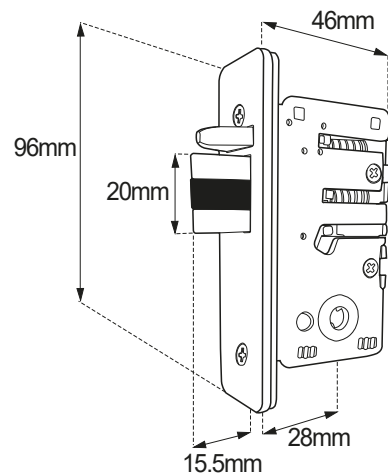
PRODUCT DIMENSIONS



BL2700 ECP - Keypad



BL2700 ECP - Inside handle



28mm backset ali latch

WWW.BORGLOCKS.COM

TEL: 01708 225700

Borg Locks (UK) Ltd Unit 9 Upminster Trading Park, Warley Street, Upminster, Essex RM14 3PJ UK

