




**2000 ECP
SERIES**

easicodepro

BL2901 ECP (EASICODE PRO)

FEATURES

-  On door code change
-  Optional holdback
-  Over 4000+ combinations
-  Anti-ligature knob handle
-  Reversible
-  Cycle tested 50k+
-  Optional code change disabling plug



SPECIFICATION

Construction: Cast housing & knob with s/steel buttons

Buttons: 14 buttons; 12 coded, 1 clear & 1 code change

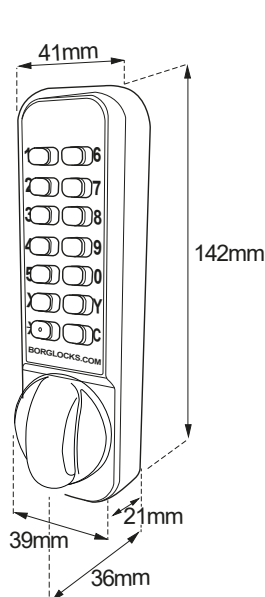
Finishes: Satin Chrome

Fixings: 2 flat bladed spindles (80 & 100mm) and fixings to suit door thickness up to 54mm

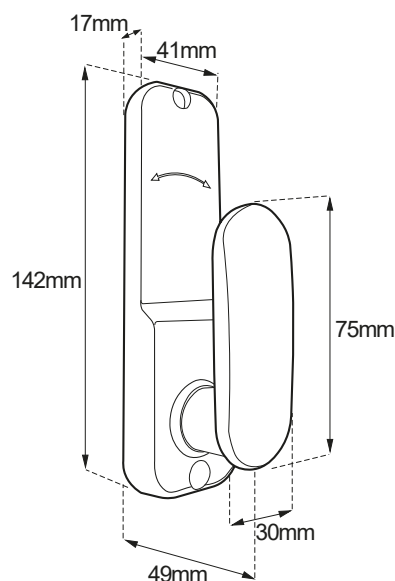
Door type: Suitable for all internal light duty doors

Deadlatch: Anti-thrust pin ensures automatic locking when the door is closed

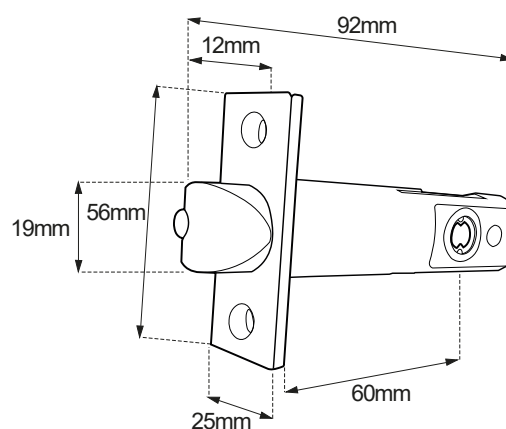
PRODUCT DIMENSIONS



BL2000 ECP - Keypad only



BL2000 ECP - Inside handle



60mm tubular latch - 2000 Series

WWW.BORGLOCKS.COM

TEL: 01708 225700

Borg Locks (UK) Ltd Unit 9 Upminster Trading Park, Warley Street, Upminster, Essex RM14 3PJ UK

Borglocks
CONTROLLING ACCESS