








5000 ECP
SERIES


easicodepro

BL5001 ECP (EASICODE PRO)

FEATURES

-  On door code change
-  Cycle tested 100k+
-  Optional Free passage mode
-  Optional code change disabling plug
-  Free turning handle
-  Over 1000+ combinations
-  Reversible on site



SPECIFICATION

Construction: Cast housing & handle with s/steel buttons

Buttons: 13 buttons; 12 s/steel 10 x 11mm indented and engraved & 1 code change button.

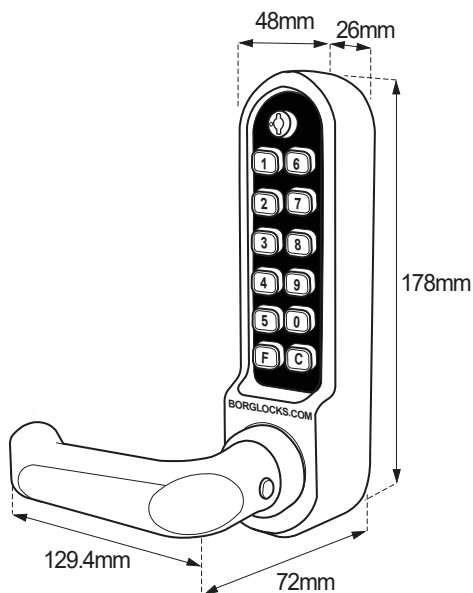
Finishes: Satin Stainless & Satin Chrome

Fixings: 8mm bladed spindle, and M4 s/steel fixings to suit doors up to 60mm thickness

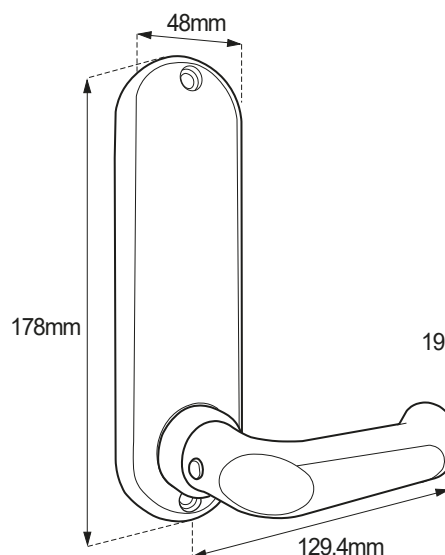
Door type: Suit all door types both internal and sheltered external, medium heavy duty applications

Deadlatch: Anti-thrust pin ensures automatic locking when the door is closed

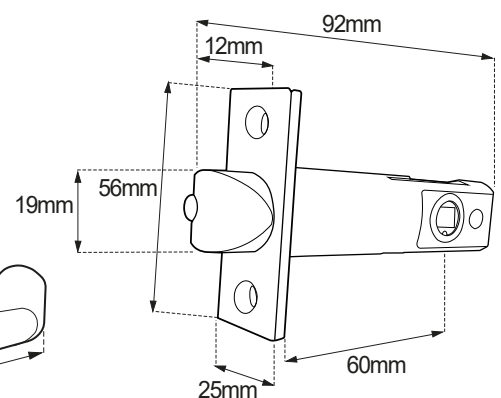
PRODUCT DIMENSIONS



BL5000 ECP - Keypad



BL5000 ECP - Inside handle



60mm tubular latch - 5000 Series

WWW.BORGLOCKS.COM

TEL: 01708 225700

Borg Locks (UK) Ltd Unit 9 Upminster Trading Park, Warley Street, Upminster, Essex RM14 3PJ UK


Borglocks™
CONTROLLING ACCESS