








5000 ECP  
SERIES

  
easicodepro

## BL5003 ECP (EASICODE PRO)

### FEATURES

-  On door code change
-  Cycle tested 100k+
-  Optional Free passage mode
-  Optional code change disabling plug
-  Free turning handle
-  Over 1000+ combinations
-  Reversible on site



### SPECIFICATION

**Construction:** Cast housing & handle with s/steel buttons

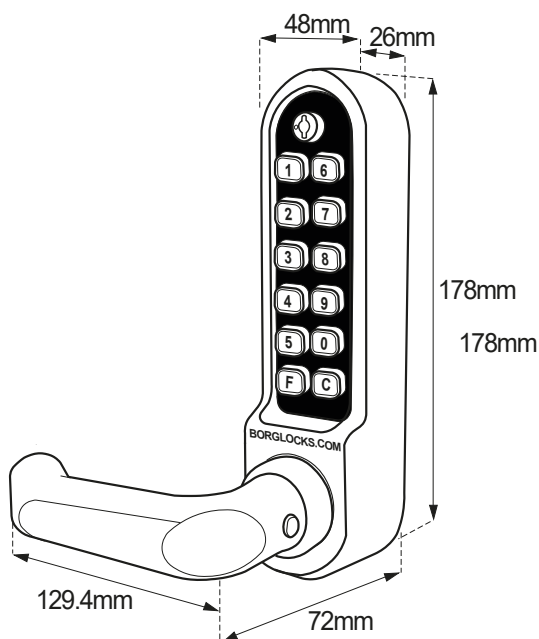
**Buttons:** 13 buttons; 12 s/steel 10 x 11mm indented and engraved & 1 code change button.

**Finishes:** Satin Stainless & Satin Chrome

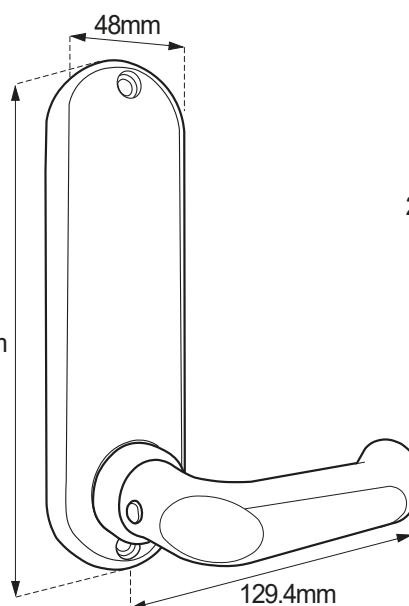
**Fixings:** 8mm bladed spindle, and M4 s/steel fixings to suit doors up to 60mm thickness

**Door type:** Suit all door types both internal and sheltered external, medium heavy duty applications

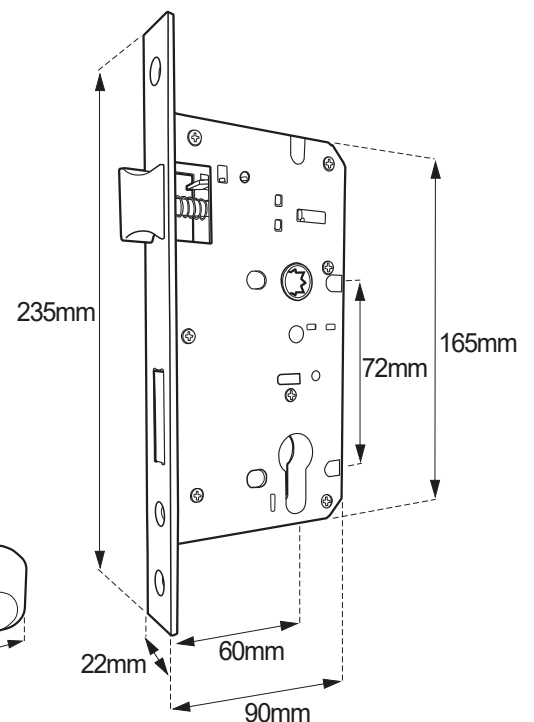
### PRODUCT DIMENSIONS



BL5000 ECP - Keypad



BL5000 ECP - Inside handle



BL5000 ECP - 60mm backset euro sash lock

WWW.BORGLOCKS.COM

TEL: 01708 225700

Borg Locks (UK) Ltd Unit 9 Upminster Trading Park, Warley Street, Upminster, Essex RM14 3PJ UK

  
Borglocks™  
CONTROLLING ACCESS