


5400 ECP SERIES



BL5401 ECP FT (EASICODE PRO)

FEATURES

-  On door code change
-  Cycle tested 100k+
-  Optional Free passage mode
-  Optional code change disabling plug
-  FD30/ FD60 Fire tested
-  Free turning handle
-  Over 1000+ combinations
-  Reversible on site



SPECIFICATION

Construction: Cast housing & handle with s/steel buttons

Buttons: 13 buttons; 12 s/steel 10 x 11mm indented and engraved & 1 code change button.

Finishes: Satin Stainless & Satin Chrome

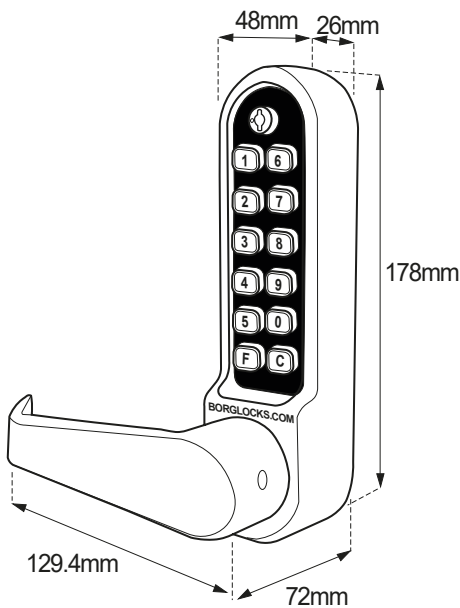
Fixings: 8mm bladed spindle, and M4 s/steel fixings to suit doors up to 60mm thickness

Door type: Suit all door types both internal and sheltered external, medium heavy duty applications

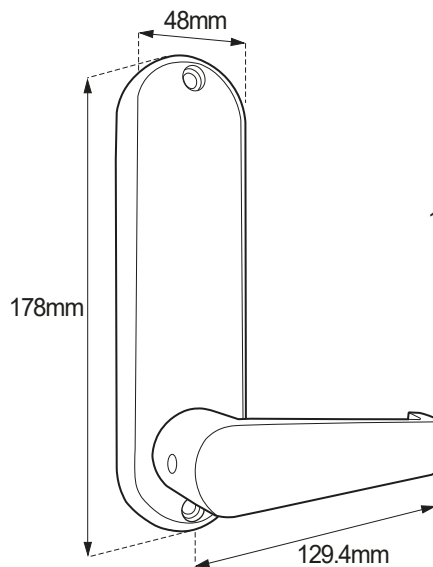
Deadlatch: Anti-thrust pin ensures automatic locking when the door is closed



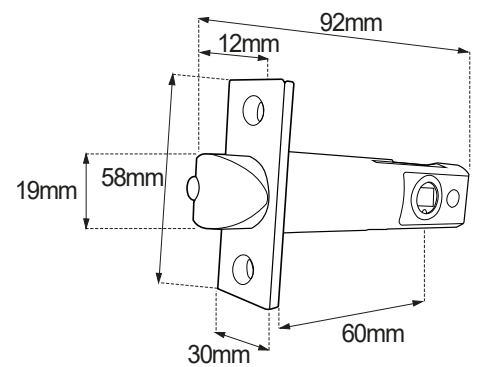
PRODUCT DIMENSIONS



BL5400 ECP - Keypad



BL5400 ECP - Inside handle



60mm tubular latch - 5000 Series