






# 5000 SERIES

## BL5402

### FEATURES

-  Optional Free passage mode
-  Cycle tested 100k+
-  Over 1000 code combinations
-  Reversible on site
-  Free turning handle



### SPECIFICATION

**Construction:** Cast housing & handle with s/steel buttons

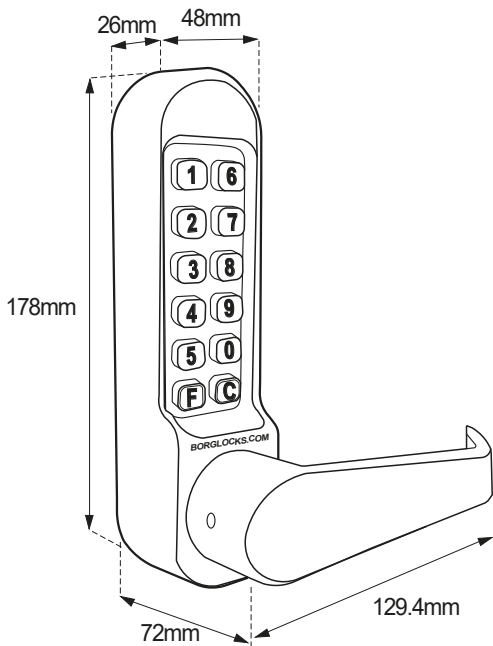
**Buttons:** 12 s/steel 10 x 11mm indented and engraved

**Finishes:** Satin chrome (SC), satin stainless (SS), polished chrome (PC) & polished brass (PB)

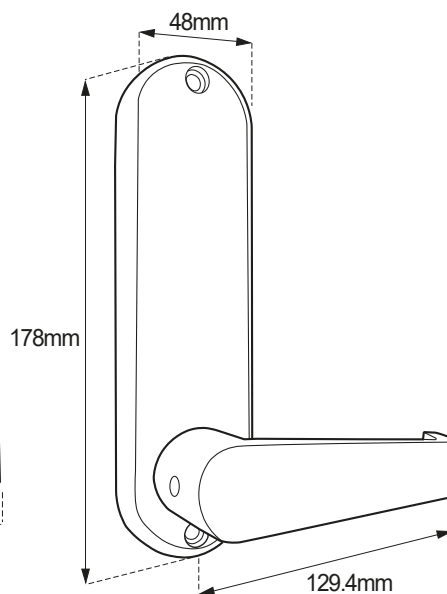
**Fixings:** 8mm bladed spindle, and M4 s/steel fixings to suit doors up to 60mm thickness

**Door type:** Suit timber doors both internal and sheltered external, medium heavy duty applications

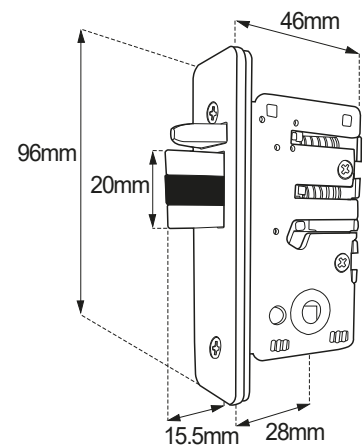
### PRODUCT DIMENSIONS



BL5400 - Keypad



BL5400 - Inside handle



28mm ali latch - 5000 Series

[WWW.BORGLOCKS.COM](http://WWW.BORGLOCKS.COM)

TEL: 01708 225700

Borg Locks (UK) Ltd Unit 9 Upminster Trading Park, Warley Street, Upminster, Essex RM14 3PJ UK



**Borglocks**  
CONTROLLING ACCESS